

PDU-Maintenance Bypass Switch Series

The PDU-MBS Series is an external bypass switch for safety purposes and allows continuous power to critical equipment without shutting down connected equipment during scheduled maintenance for UPS or battery replacement. This series is suitable for rackmount and tower UPS.

Features:

- 16A for 208/220/230/240Vac and 20A for 110/115/120/127Vac
- Provides continuous power to connected equipment during UPS maintenance
- Easy operation with simple rotary switch and indicators
- Master/slave function for energy saving
- Provides additional sockets for extended usage
- 19" Rackmount and tower design to fit diverse working environments
- Simple installation with plug and play socket type
- Includes UPS input breaker (PDU-MBS610RM)



PDU-MBS123RM

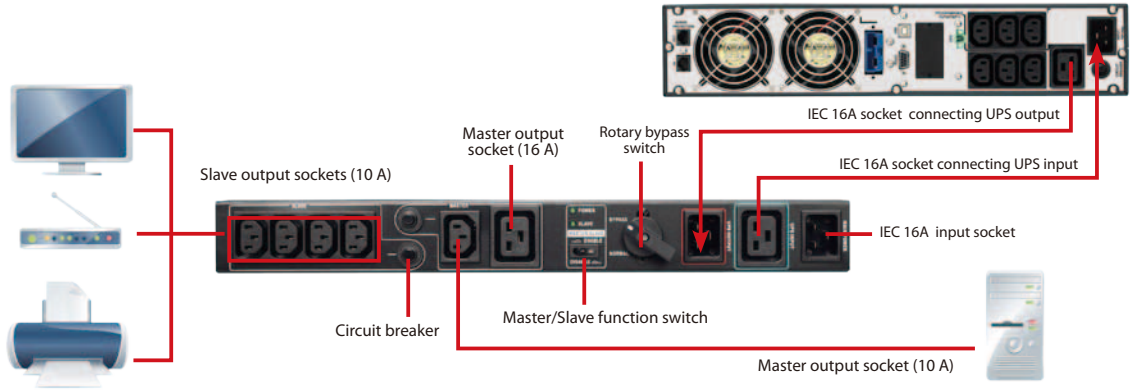


PDU-MBS123TW



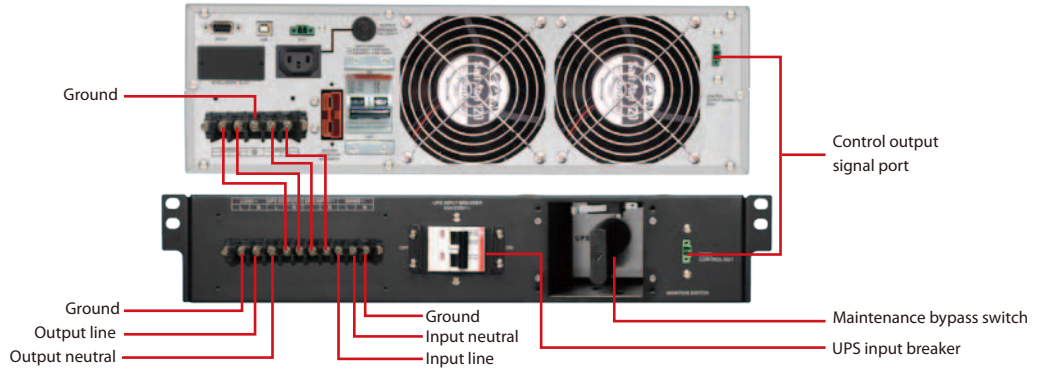
PDU-MBS610RM

PDU-MBS123RM



Maruson Online UPS

PDU-MBS610RM



PDU-MAINTENANCE BYPASS SWITCH SPECIFICATION

MODEL	PDU-MBS123RM	PDU-MBS123TW	
Current Rating	16 A max. for 208/220/230/240 Vac 20 A max. for 110/115/120/127 Vac (suitable for UPS up to 3KVA)		
Voltage Rating	208/220/230/240 VAC or 110/115/120/127 VAC		
Master/Slave Function	Yes. When power consumption in Master outlet is lower than 20W (± 5W), it will shut off the power for slave outlets.	N/A	
CONNECTION			
Input	AC Power	1 x IEC (16 A) connector and 1 x customized plug cable	
	UPS Input	1 x IEC (16 A) connector and 1 x cable (16A - 10A IEC cable for 1K/2K, 16A - 16A IEC cable for 3K)	
	UPS Output	1 x IEC (16 A) connector and 1 x cable (16A - 10A IEC cable for 1K/2K, 16A - 16A IEC cable for 3K)	
Output	IEC	5 x IEC 10A sockets + 1 x IEC 16A socket (with 2 circuit breakers)	8 x IEC 10A sockets + 1 x IEC 16A socket (with 2 circuit breakers)
	Schuko	4 x Schuko 16A sockets	4 x Schuko 16A sockets
	UK	4 x UK 13A sockets	4 x UK 13A sockets
	NEMA	5 x NEMA 20A sockets	6 x NEMA 20A sockets
PHYSICAL			
Dimension, (D x W x H)(mm)	IEC	80 x 438 x 50	180 x 160 x 50
	Schuko	80 x 438 x 60	180 x 200 x 50
	UK		
	NEMA	80 x 438 x 50	180 x 160 x 50
Net Weight (kgs)	1.5	1.3	
ENVIRONMENT			
Operating Temperature	20-90 % RH @ 0- 45°C (non-condensing)		

Product specifications are subject to change without further notice

MODEL	PDU-MBS610RM
Current Rating	63 A / pole (suitable for 6K/10KVA UPS)
Working Voltage	600 VAC
Frequency	50 Hz or 60 Hz
Isolation Voltage	690 VAC
Protection	Overload
CONNECTION	
Input	Terminal Type (L-N)
Output	Terminal Type (L-N)
Recommended Wires	10 AWG for 6KVA UPS 8 AWG for 10KVA UPS
Form Factor	2 U
PHYSICAL	
Dimension, (D x W x H)(mm)	158 x 438 x 86
Net Weight (kgs)	3.0
ENVIRONMENT	
Operating Temperature	0-95 % RH @ 0- 40°C (non-condensing)

Product specifications are subject to change without further notice

MARUSON[®]
TECHNOLOGY CORP.
 Power Solutions for All Your Needs

Maruson Technology Corp.

18557 East Gale Ave., City of Industry, CA 91748, USA
 Toll Free: 1-888-MARUSON
 TEL: +1-626-912-8388 FAX: +1-626-912-8680
 E-Mail: Info@MarusonUSA.com Web Site: www.MarusonUSA.com



Distributed by

